

1. The machine is applicable to wide variety of grinding works from heavy cut to grinders.

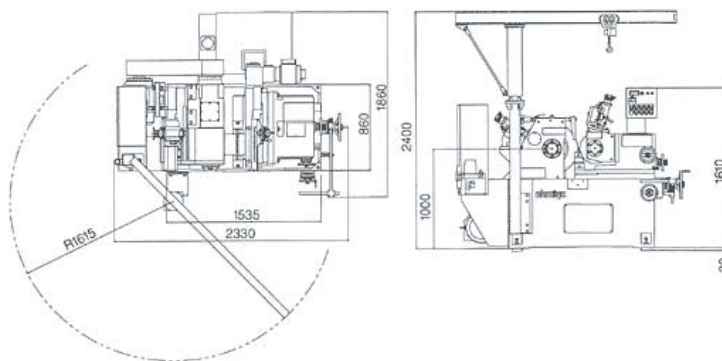
2. Both the grinding and regulating wheel spindles are supported by the ultra-precision double-row cylindrical roller bearings. It ensures stable and high grinding accuracy.

3. The variable speed motor drives the regulating wheel spindle. It permits stepless speed control of the regulating wheel spindle to meet the workpiece to be ground.

4. Independent upper/lower slides are provided on the regulating wheel spindle. It realizes more diversified applications to the workpieces as well as simplified precision adjustments.

5. The machine is designed to minimize vibration, thermal displacement and other mechanical problems to guarantee the optimal processing accuracy.

6. The machine is provided with good enough functions to cope with automation of the production process by the CNC, automatic loading/unloading units, and also chaining of production process.



	OC-20BR-200
Grinding Capacity	$\phi 1 \sim \phi 40 (\phi 40 \sim 100)$
Max. Infeed Grinding Length	200 L
Grinding Wheel (Diam.xWxBore)	$\phi 510 \times 205 \times \phi 254$
Regulating Wheel (Diam.xWxBore)	$\phi 305 \times 205 \times \phi 127$
Peripheral Speed (Grinding Wheel)	2,000m/min (2,700m/min option)
Rev Count (Grinding Wheel)	1,200rpm
Rev Count (Regulating Wheel)	10 ~ 250rpm (Infinity variable)
Grinding Wheel Drive Motor	15kW
Regulating Wheel Drive Motor	1.5kW (Variable Speed Motor)
Coolant Pump Motor	0.25kW
Net Weight(approx.)	4,000kg